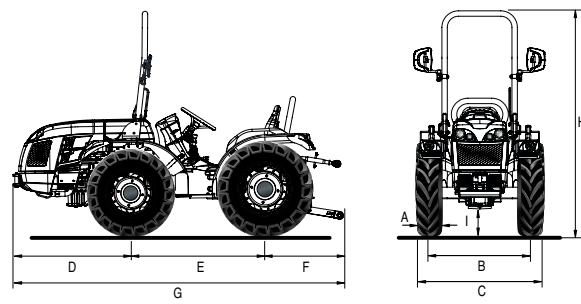


TECHNICAL FEATURES	INVICTUS K400 SDT RS
ENGINE	KUBOTA V1505
Number of cylinders	4
Displacement (cm ³)	1,498
Intake	Naturale
Emission level	Tier 3A
Power (kW/HP)	26.2 / 35.6
Rated speed (rpm)	3000
Maximum torque (Nm/rpm)	96.5 / 2,200
Cooling	Liquid
Tank capacity (lt)	43
CHASSIS	Swinging integral chassis OS-Frame with steering wheels
DRIVE	Four-wheel drive, permanent
TRANSMISSION	Gearbox with easy gear engagement: 8 forward and 4 reverse speeds
Transmission clutch	Dry single-plate
DIFFERENTIAL	Simultaneous front and rear differential lock with mechanical control
AXLES	Front axle, oscillating in the middle (approx. ±15°)
REAR PTO	540 rpm and synchronized with forwarding speed
HYDRAULIC SYSTEM	
Flow rate to the hydroguide, lift and the control valves (lt/min)	16.5
Maximum hydraulic pressure (bar)	125
REAR CONTROL VALVES	Mechanical control
Standard	1 double acting
Optional and in addition to the standard ones	1 single acting or 1 double acting or 1 double acting with float
ELECTRIC SYSTEM	Battery 60 Ah / 12 V - Alternator 40 A
Rear power outlet	7 pin
REAR LIFT	By two external rams
Three-point hitches	Standard couplers cat. 1
Three-point tie bar	With manual length adjustment
Ball joint lifting capacity (kg)	1,050
DRIVING PLATFORM	Semi-platform
Seat	Standard: seat with a device that allows it to be regulated as to distance from controls, height and suspension adjustable according to the driver's weight, safety belt and 'man on board sensor'. Optional: 'Kab Seating'
SERVICE BRAKES	Drum brakes, acting on the rear wheels by two independent pedals or simultaneous
Parking brake	Acting on service brakes
STEERING	Hydrostatic steering acting on front wheels
SAFETY	Front homologated roll-bar with gas springs for an easy lowering and lifting
INSTRUMENT PANEL	Analogue type with working time, engine speed, forwarding speed. Warning lights and acoustic alarm
TYRES (standard)	Front 6.00-16 * Rear 8.25-16
Optional	Front 6.50-16 * Rear 280/70R18
TOW HOOKS (standard)	Front tow hook - Rear tow hook with adjustable height
Optional	Rear tow hook, EC approved
WEIGHT in order of speed with roll-bar (kg)	1,120
OPTIONAL	Independent rear PTO at 540 rpm with electro-hydraulic control, multi-disc oil-bath clutch and synchronized with the gearbox, steering wheel with adjustable height, adjustable rear working light kit, beacon lamp, weights for front and rear wheels

	6.00-16		8.25-16		6.50-16		280/70R18	
	Front	Rear	Front	Rear	Front	Rear	Front	Rear
A Tyre width (mm)	170	212	183				282	
B Wheel track min/max (mm)	892 / 1096	886 / 1182	886 / 1182				990 / 1088	
C Width min/max (mm)	1062 / 1266	1098 / 1394	1069 / 1365				1272 / 1370	
D	1050							
E	1200							
F		775						
G			3025					
H min/max			1970 / 1990					
I min/max			237 / 258					



BCS S.p.A.

Viale Mazzini, 161 - 20081 Abbiategrasso (Milano)
 Tel. +39 02 94821 - Fax +39 02 94960800
 info@bcs-ferrari.it

www.bcsagri.it

