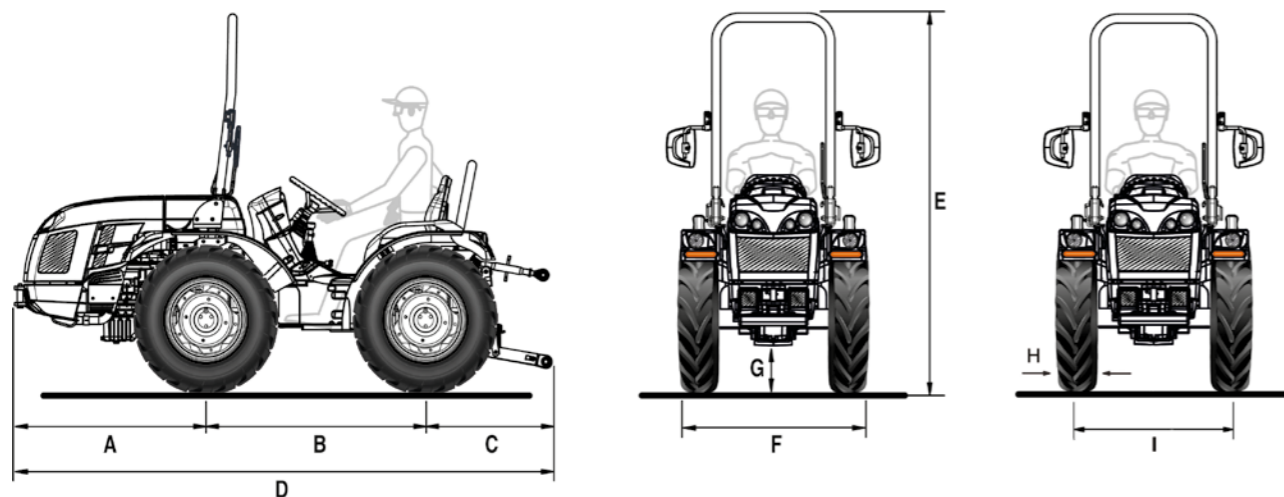


INVICTUS 35 AR

Data Sheet



| A | B | C | D | E max | F min/max | G min/max |
|-----|------|-----|------|----------|--------------|--------------|
| 985 | 1200 | 705 | 2890 | 1990 | 989 / 1391 | 237 / 258 |

* Dimensions in mm

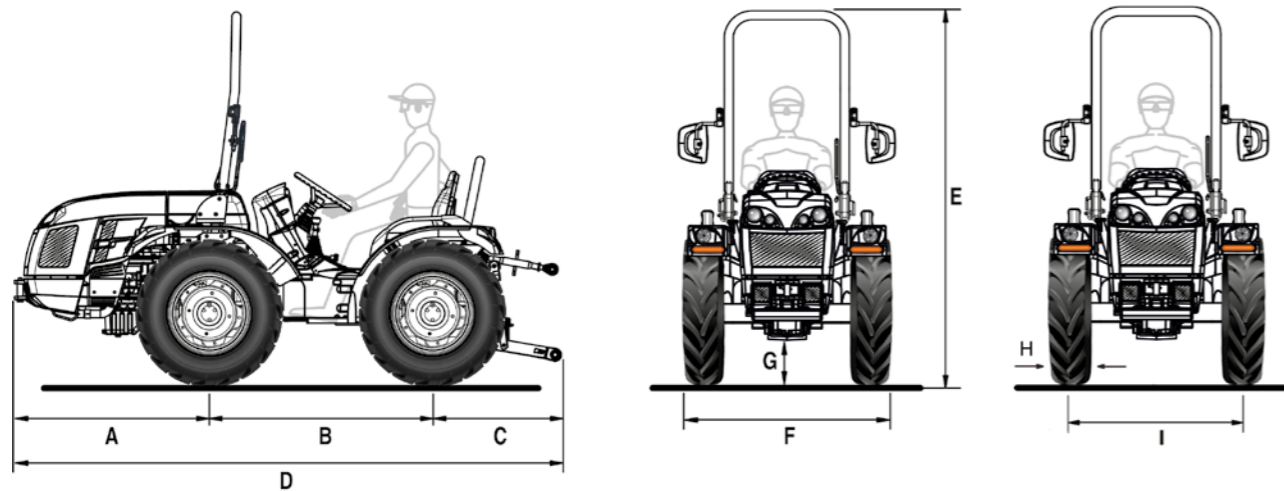
| | 6.50-16 | 210/95 R16 (7.50-16) | 260/70 R16 | 240/70-15 Garden |
|----------|---------------------|-------------------------|---------------------|---------------------|
| | with adjustable rim | with adjustable rim | with adjustable rim | with fixed rim |
| H | 183 | 209 | 258 | 253 |
| I | 806 / 1182 | 806 / 1182 | 882 / 1040 | 906 / 1082 |
| F | 989 / 1365 | 1015 / 1391 | 1140 / 1298 | 1159 / 1335 |

* Dimensions in mm - min / max
H = Tyre width - I = Wheel track - F = Tractor width

| TECHNICAL FEATURES | INVICTUS 35 AR |
|--|--|
| ENGINE | Kubota D1105 |
| No. of cylinders | 3 |
| Displacement (cc) | 1123 |
| Intake | Natural |
| Emissions compliance | Stage V |
| Power (kW/HP) | 18.5 / 25 |
| Rated speed (rpm) | 3000 |
| Max torque (Nm/rpm) | 71.5 / 2200 |
| Cooling | Liquid |
| Tank capacity (l) | 43 |
| CHASSIS | Swinging integral chassis (±15°) OS-FRAME with central articulation |
| DRIVE | Permanent four-wheel drive |
| TRANSMISSION | Gearbox with easy gear engagement: 8 FWD + 4 REV speeds |
| Min/max travel speed (km/h) | 1.3 / 28 |
| Transmission clutch | Dry single disc |
| DIFFERENTIAL | Front and rear with simultaneous locking and mechanical control |
| REAR PTO | At 540 rpm and synchronised with forwarding speed |
| Engagement control | Mechanical |
| HYDRAULIC SYSTEM | |
| Flow rate to the hydroguide, lift and control valves (l/min) | 16.5 |
| Maximum hydraulic pressure (bar) | 125 |
| REAR CONTROL VALVES | Mechanically controlled |
| Standard | 1 double-acting (total 2 hydraulic outlets) |
| Optional and in addition to the standard ones | 1 single-acting and 1 double-acting (total 5 hydraulic outlets) or 1 double-acting and 1 double-acting with delivery lockable position (total 6 hydraulic outlets) |
| ELECTRIC SYSTEM | 60 Ah / 12 V battery - 40 A alternator |
| REAR LIFT | Raising/lowering, by two external rams |
| 3-point implement hitch | With normal couplings cat. 1 |
| Third point tie rod | With manual adjustment |
| Ball joint lifting capacity (kg) | 950 |
| DRIVING POSITION | With semi-platform |
| Steering wheel | Standard: fixed - Optional: height adjustable |
| Seat | With safety belt and man-on-board sensor. Comfort seat with longitudinal, height and spring adjustment according to the operator's weight |
| SERVICE BRAKES | Drum brakes acting on rear wheels |
| Parking brake | Acting on service brakes |
| STEERING | Hydrostatic steering acting on the central joint |
| SAFETY | Front homologated roll-bar with gas spring for easy lowering and lifting |
| DASHBOARD | With analogue instrumentation complete with operating hours indicator, engine rpm, forwarding speed and warning lights |
| TYRES | 6.50-16 * 210/95R16 (7.50-16) * 260/70R16 * 240/70-15 Garden |
| TOW HOOKS (standard) | Front - Rear CUNA cat. B adjustable in height |
| Optional | Rear EC approved |
| RUNNING ORDER WEIGHT with roll-bar (kg) | 1040 |
| ADDITIONAL OPTIONS | Rear working light, beacon lamp, wheel weights kg 40 each. |

INVICTUS 35 RS

Data Sheet



| A | B | C | D | E max | F min/max | G min/max |
|-----|------|-----|------|----------|--------------|--------------|
| 985 | 1200 | 705 | 2890 | 1990 | 1069 / 1391 | 237 / 258 |

* Dimensions in mm

| | 6.50-16 with adjustable rim | 210/95 R16 (7.50-16) with adjustable rim | 260/70 R16 with adjustable rim | 240/70-15 Garden with fixed rim |
|---|--------------------------------|--|-----------------------------------|---------------------------------------|
| H | 183 | 209 | 258 | 253 |
| I | 886 / 1182 | 886 / 1182 | 944 / 1102 | 906 / 1082 |
| F | 1069 / 1365 | 1095 / 1391 | 1202 / 1360 | 1159 / 1335 |

* Dimensions in mm - min / max
H = Tyre width - I = Wheel track - F = Tractor width

| TECHNICAL FEATURES | INVICTUS 35 RS |
|--|---|
| ENGINE | Kubota D1105 |
| No. of cylinders | 3 |
| Displacement (cc) | 1123 |
| Intake | Natural |
| Emissions compliance | Stage V |
| Power (kW/HP) | 18.5 / 25 |
| Rated speed (rpm) | 3000 |
| Max torque (Nm/rpm) | 71.5 / 2200 |
| Cooling | Liquid |
| Tank capacity (l) | 43 |
| CHASSIS | Swinging integral chassis (±15°) OS-FRAME with steering wheels |
| DRIVE | Permanent four-wheel drive |
| TRANSMISSION | Gearbox with easy gear engagement: 8 FWD + 4 REV speeds |
| Min/max travel speed (km/h) | 1.3 / 28 |
| Transmission clutch | Dry single disc |
| DIFFERENTIAL | Front and rear with simultaneous locking and mechanical control |
| REAR PTO | At 540 rpm and synchronised with forwarding speed |
| Engagement control | Mechanical |
| HYDRAULIC SYSTEM | |
| Flow rate to the hydroguide, lift and control valves (l/min) | 16.5 |
| Maximum hydraulic pressure (bar) | 125 |
| REAR CONTROL VALVES | Mechanically controlled |
| Standard | 1 double-acting (total 2 hydraulic outlets) |
| Optional and in addition to the standard ones | 1 single-acting (total 3 hydraulic outlets) or 1 double-acting (total 4 hydraulic outlets) or 1 double-acting with float (total 4 hydraulic outlets) |
| ELECTRIC SYSTEM | 60 Ah / 12 V battery - 40 A alternator |
| REAR LIFT | Raising/lowering, by two external rams |
| 3-point implement hitch | With normal couplings cat. 1 |
| Third point tie rod | With manual adjustment |
| Ball joint lifting capacity (kg) | 950 |
| DRIVING POSITION | With semi-platform |
| Steering wheel | Standard: fixed - Optional: height adjustable |
| Seat | With safety belt and man-on-board sensor. Comfort seat with longitudinal, height and spring adjustment according to the operator's weight |
| SERVICE BRAKES | Drum brakes acting on rear wheels. Independent manoeuvring brakes acting on the rear wheels |
| Parking brake | Acting on service brakes |
| STEERING | Hydrostatic steering acting on the front wheels |
| SAFETY | Front homologated roll-bar with gas spring for easy lowering and lifting |
| DASHBOARD | With analogue instrumentation complete with operating hours indicator, engine rpm, forwarding speed and warning lights |
| TYRES | 6.50-16 * 210/95R16 (7.50-16) * 260/70R16 * 240/70-15 Garden |
| TOW HOOKS (standard) | Front - Rear CUNA cat. B adjustable in height |
| Optional | Rear EC approved |
| RUNNING ORDER WEIGHT with roll-bar (kg) | 1060 |
| ADDITIONAL OPTIONS | Independent from gearbox rear PTO at 540 rpm (with electro-hydraulic control and multi-disc oil bath clutch) and synchronised with forwarding speed, rear working light, beacon lamp, wheel weights 40 kg each. |